

Metallic dome head (Exde) stopping plugs - PDU Series



Type PDU

Features

- International Ex approvals
- IP66, IP68, CSA Enclosure Type (NEMA) 4X, 6P
- Available in brass, stainless steel, mild steel and aluminium
- Various threadforms available

Benefits

- Provides method of filling unused entries in equipment
- Maintains Ex certification
- Maintains IP integrity

Materials

- Brass CZ121
- 316 stainless steel
- Aluminium
- Mild Steel

Threadforms

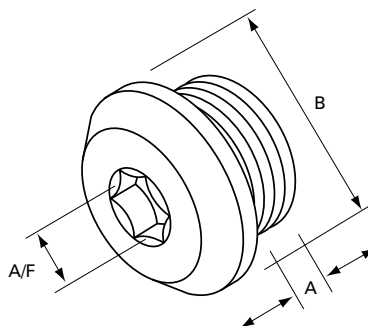
- Metric
- NPT
- NPSM
- PG
- ISO pipe (BSP)
- ET

Plating options

- Electroless nickel
- Zinc
- Others on application

Dimensions of metric versions

Size	Thread length (A)	Hex (Allen) key A/F	Diameter (B)
M16	15.00	10.00	22.00
M20	15.00	10.00	27.00
M25	15.00	10.00	31.75
M32	15.00	10.00	40.00
M40	15.00	10.00	47.63
M50	15.00	10.00	57.15
M63	15.00	14.00	69.85
M75	15.00	14.00	82.55



Technical specification

Code of protection categories

ATEX: I M2, II 2 GD Ex d I/IIC Mb Gb, Ex e I/IIC Mb Gb, Ex tb IIIC Db, IP6X

IECEX: Ex d I/IIC, Mb/Gb, Ex e I/IIC, Mb/Gb, Ex tb IIIC Db, IP6X

CSA: Ex de IIC IP66/67/68; Class I, Division 1 and 2; Groups A, B, C, D; Class II, Groups E, F, G; Class III; Enclosure Type 4X/6P

GOST: ExdeIU, ExdeIIICU, IP66/67/68

Compliance standards

ATEX: EN 60079-0, EN 60079-1, EN 60079-7, EN 60079-31

IECEX: IEC 60079-0, IEC 60079-1, IEC 60079-31, IEC 60079-7

CSA: C22.2 No. 30-M1986 (R2012), CAN/CSA 60079-0-11, CAN/CSA 60079-1-11, CAN/CSA 60079-7-12, CAN/CSA 60079-31:12, UL1203-5th Edition

Certificate details

ATEX: Sira 00ATEX1094X

IECEX: IECEX SIR 12.0016X

CSA: 1248014 (LR 106084)

GOST: TR RU C-GB.GB06.B.00106

Temperature

Temperature will depend on the type of o-ring used

None: -50°C to +180°C

Nitrile: -20°C to +80°C (supplied as standard)

EPDM: -30°C to +125°C

Neoprene: -20°C to +100°C

Viton: -5°C to +180°C

Silicone: -30°C to +180°C

Fluorosilicone: -50°C to +150°C

The maximum temperature is limited to +150°C for Group I applications

Ingress protection (IP):

Independently tested to IP66 / IP68 when fitted in accordance to manufacturer's instructions

Part number:

Please refer to page 10 for part numbering system